

PRODUCT OVERVIEW

PRESSURE MEASUREMENT

MAC Sensor Co.,LTD.

Changsha City,Hunan,China

<http://www.macsensor.com>

TEL: +86-731-89975636 / 89975645

Pressure Sensor with Display P20-G

PROFILE

Pressure sensor P20-G is a digital industrial pressure transmitter, featuring an imported piezoresistive pressure sensor and a big LCD or LED display for effortless local readings. Its has a robust 316L stainless steel housing for resilience in extreme conditions. Boasting EMI/RFI protection and high shock/vibration resistance, it thrives in challenging environments. Offering versatile measuring ranges up to 1000 bar, it supports standard industrial output signals, process connections, and local indicators. With convenient zero and full-range adjustments, this CE-certified pressure sensor ensures reliable and precise measurements in diverse industrial applications..



CHARACTERISTICS

- ☆ HD LCD/LED display
- ☆ 2 times range standard overload
- ☆ 5 times range burst pressure
- ☆ Fully Welded Stainless Steel Housing
- ☆ Surge(lightning) protection
- ☆ EMI/RFI Protection
- ☆ Zero point and span adjustable
- ☆ CE, RoHS certificate approved

APPLICATIONS

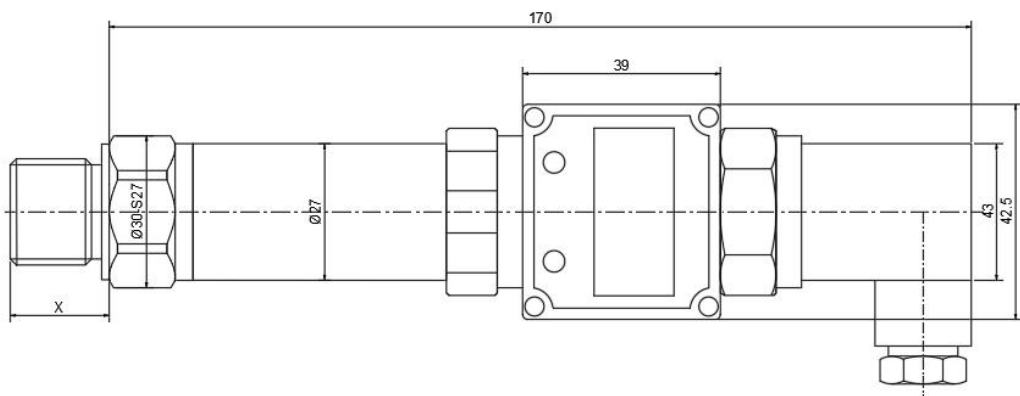
- ☆ Industrial automation control
- ☆ Industrial process control
- ☆ Biomedical
- ☆ Energy and water treatment
- ☆ Petroleum, chemical industry
- ☆ Metallurgy
- ☆ Hydrology, agriculture, food industry
- ☆ Process control

SPECIFICATIONS

Model	P20-G		
Parameter			
Pressure Range	-1~0, 0 to 1000bar		
Overload	200% F.S		
Burst Pressure	500% F.S.		
Electrical Wire	2-wire	3-wire	
Output	4~20mA	0~5V	1~5V
Power Supply	7-30Vdc	12-30Vdc	12-30Vdc
Accuracy	0.5%F.S (Typical); 0.25%F.S optional; 0.1%F.S(by customized)		
Long-term Stability	0.1 % of span/year		
Working Temp.	-20℃~80℃ or -40~80℃		
Process Connection	1/4''NPT male 1/2''NPT Female; G1/2''; G1/4''male optional. (By customized)		
IP Rating	IP65		

Dimensions

Unit, mm



PART NUMBER CODE TABLE FOR PRESSURE RANGE

000	-1-0	016	0-1.5	032	0-10	048	0-125
001	-1-1	017	0-1.6	033	0-12	049	0-150
002	-1-9	018	0-1.7	034	0-15	050	0-200
003	-1-10	019	0-1.8	035	0-16	051	0-250
004	-1-16	020	0-1.9	036	0-20	052	0-300
005	-1-20	021	0-2.0	037	0-25	053	0-350
006	-1-25	022	0-2.1	038	0-30	054	0-400
007	-1-30	023	0-2.2	039	0-35	055	0-450
008	-1-35	024	0-2.3	040	0-40	056	0-500
009	-1-40	025	0-2.5	041	0-50	057	0-600
010	-1-65	026	0-3	042	0-60	058	0-700
011	0-0.5	027	0-4	043	0-65	059	0-800
012	0-1.0	028	0-5	044	0-70	060	0-1000
013	0-1.1	029	0-6	045	0-80	X	Customized
014	0-1.2	030	0-7	046	0-90		
015	0-1.3	031	0-8	047	0-100		

ORDER INFORMATION

P20CD												
Selection	C			E5	6	012		B	1	1	S10	G
Electrical Connection	C=With LCD Display E=With LED Display											
Output	E5=4-20mA(2 wire) E0=1-5V(3 wire)			E6=0-5V(3 wire) X= By customized								
Pressure connection	3= 1/4" NPT male 6=G1/4" male 8=M20x1.5 male 10 =1/2" NPT male X= By customized			5=1/8" NPT male 7=G1/4" Female 9=G1/2" male								
Pressure Measurement	Refer to PART NUMBER CODE TABLE FOR RESSURE RANGE on previous page and select your requested range code here.											
Pressure Unit	B=Bar	P=Psi	K=KPa	M=MPa	H=mH2O							
Accuracy	1=0.5%F.S		2=0.25%F.S		3=0.1%F.S (by customized)							
Cable length	0=Non-Cable		1=Cable 1M		... X=By Customized							
Power supply	S10=12-30Vdc			S11=7-30Vdc			X= By customized					
Pressure type	G=Gage		A=Absolute									